

**Betriebsanleitung**  
**Operating Instructions**  
**Instructions de service**  
**Istruzioni d'uso**  
**Handleiding**  
**Instrucciones para el manejo**  
**Manual de instruções**  
**Naudojimosi instrukcija**  
**Kasutusjuhend**  
**Lietošanas instrukcija**  
**Οδηγίες χρήσης**  
**取扱説明書**  
**사용설명서**

**Driftsinstruks**  
**Driftsinstruktioner**  
**Käyttöohje**  
**Driftsvejledning**  
**Instrukcja obsługi**  
**Kezelési útmutató**  
**Návod k obsluze**  
**Navodilo za uporabo**  
**Návod na obsluhu**  
**EI Kitabi**  
**Инструкция по эксплуатации**  
**使用说明书**

**U 4.250**

2006/42/EG




DIN EN ISO 14001:2005

DIN EN ISO 9001  
001929 QM

<p>Becker Lube M/S/SL 100 ▷ 7,0 Liter</p>	<p><b>MAX. VACUUM</b></p>	<p>mbar</p>
		<p><b>MAX.</b></p>
<p><b>AIR</b></p>		<p>DIN EN ISO 3744</p> <p> <math>L_{pA} = 73 \text{ dB(A)} - 50\text{Hz}</math>  <math>L_{pA} = 76 \text{ dB(A)} - 60\text{Hz}</math>  <math>K_{pA} = 3 \text{ dB(A)}</math> </p>


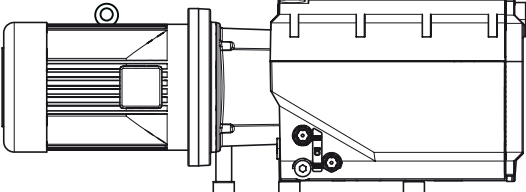
<p>178 kg 392.5 lbs</p>	<p> <math>A &gt; 100\text{mm}</math>  <math>A &gt; 4''</math> </p>	<p> <math>&gt; 5^\circ\text{C}/41^\circ\text{F}</math>  <math>&lt; 40^\circ\text{C}/104^\circ\text{F}</math> </p>	<p>max. 90%</p>	<p>max. 800m</p>
<p>1</p>		<p>2</p>		

28100026500 08/11

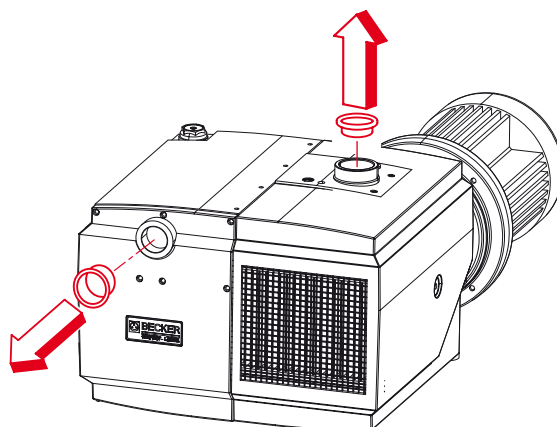


7,0 Liter


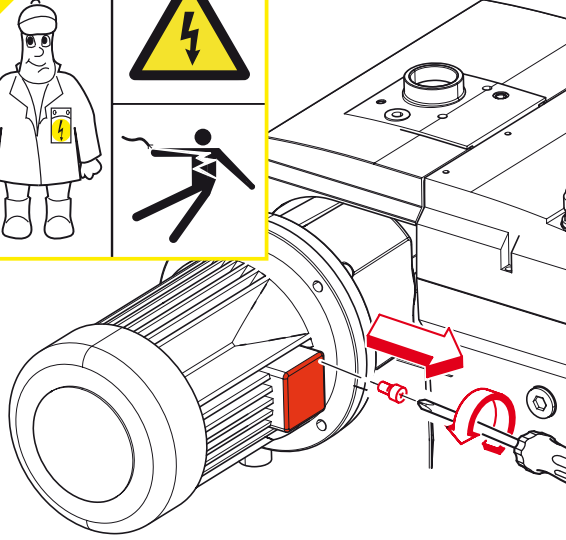
Becker Lube **M 100** (Mineral oil)  
 ▷ No.: 96000900000 (1)  
 ▷ No.: 96000900200 (5)  
 Becker Lube **S 100** (Synthetic oil)  
 ▶ U4.250SA/K-65  
 ▷ No.: 96001600100 (1)  
 ▷ No.: 96001600200 (5)  
 Becker Lube **SL 100 Food**  
 ▷ No.: 96002300100 (1)  
 ▷ No.: 96002300200 (5)


**3**



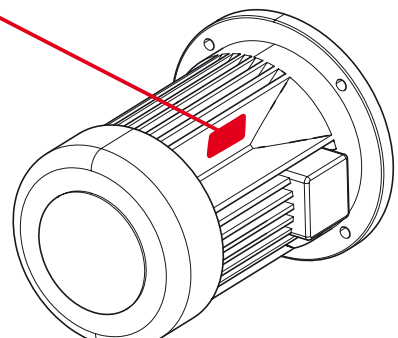
**4**

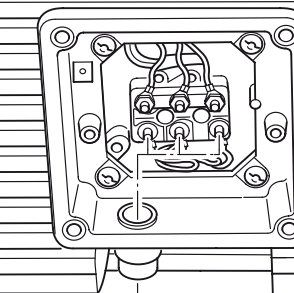
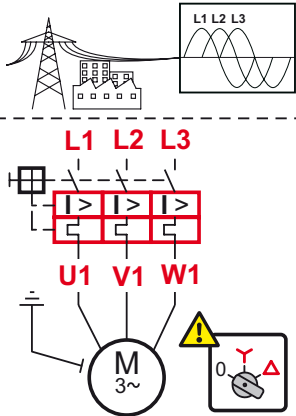
**5**



<b>BECKER</b> Mat.Nr. XXXXXX ENXXXX CE 3~Mot. XXXXXXXX NoUp. xxxxxxxx xx	
<b>50 Hz</b> XXKW XXX-XXX / XXX-XXX V Δ / Y XX-XX / XX-XX A cos φ 0.XX-0.XX XXXX-XXXX /min	<b>60 Hz</b> XXKW XXX-XXX / XXX-XXX V Δ / Y XX-XX / XX-XX A cos φ 0.XX-0.XX XXXX-XXXX /min
XX kg	



**6**

L1 L2 L3


U1 V1 W1

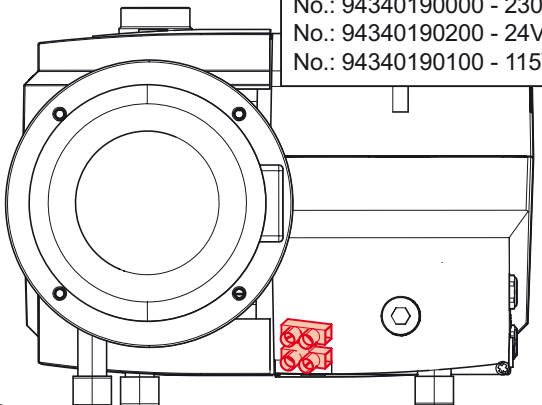
M 3~

**OPTIONAL**

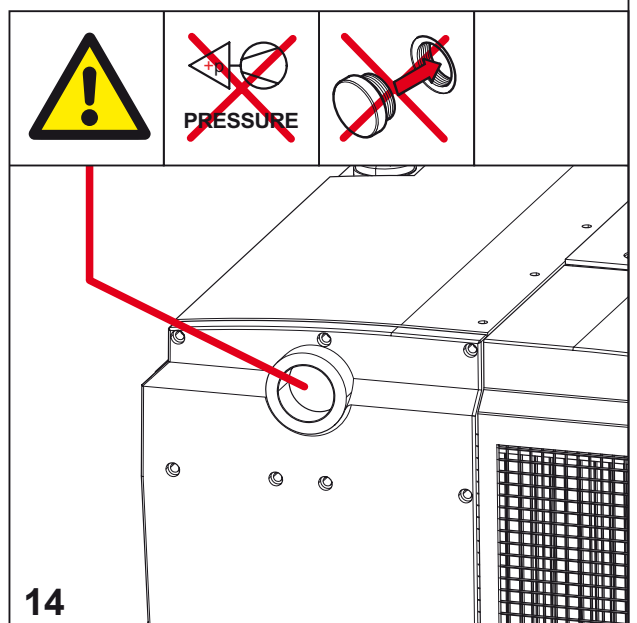
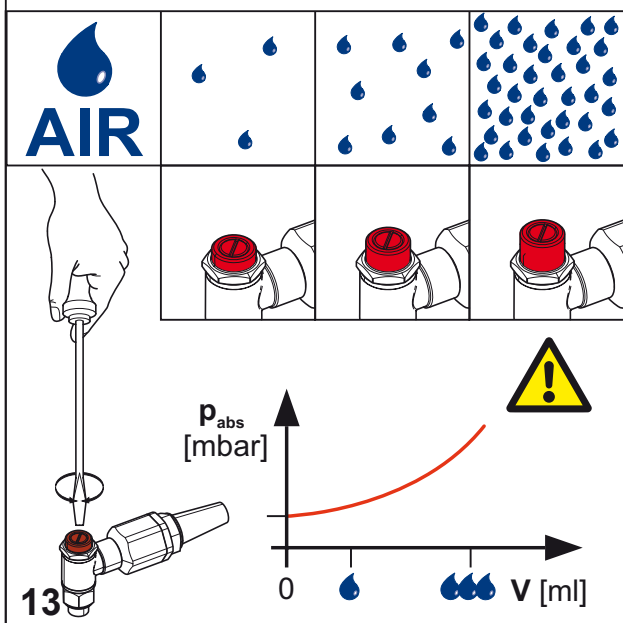
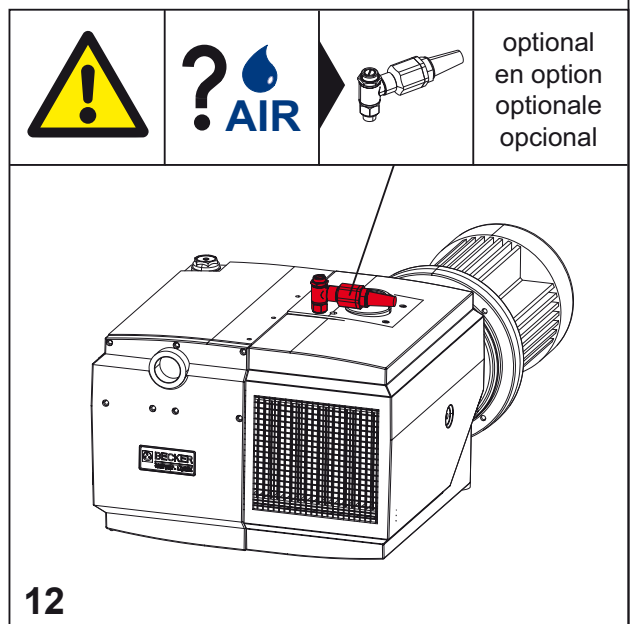
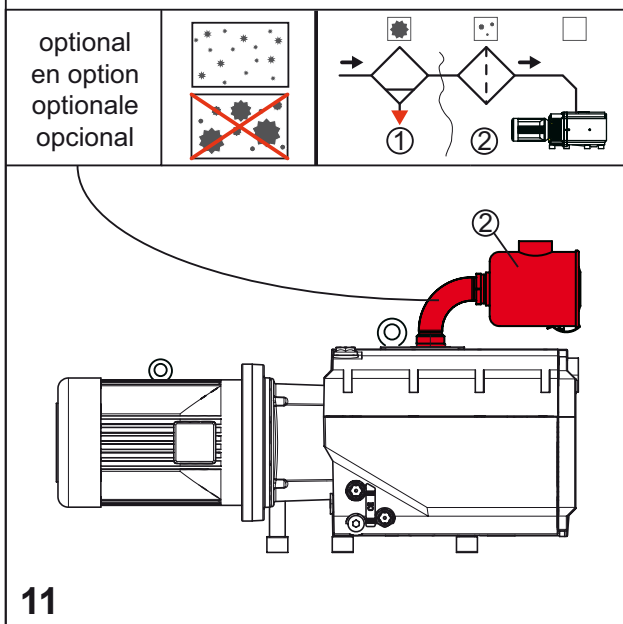
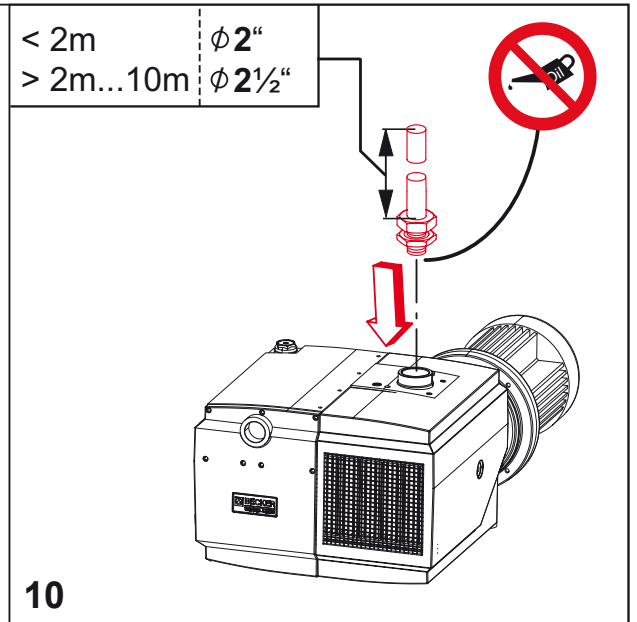
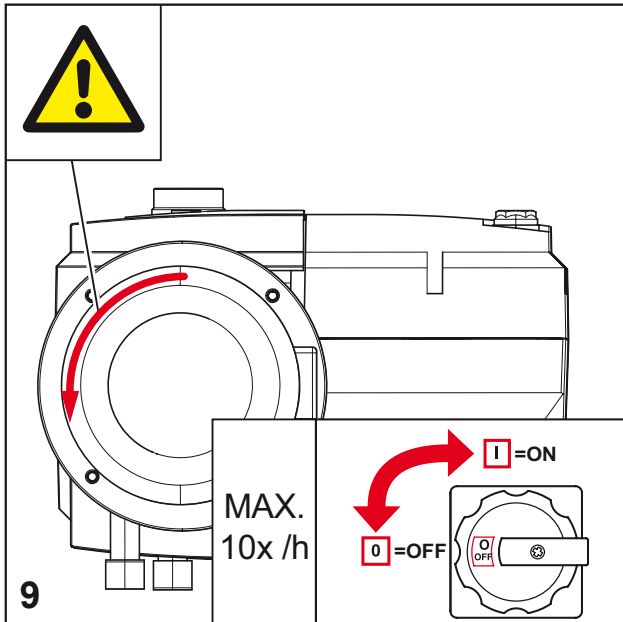
PTC Bi-metal Softstart

**7**

<b>Pt 100</b>	optional en option optionale opcional	
$T_{MAX}$	No.: 94340190000 - 230V No.: 94340190200 - 24VDC No.: 94340190100 - 115V	



**8**



**A.**

**B.**

**C.**

**40 h**

**Becker Lube M/S/SL 100**

**D.**

**F.**

**7,0 Liter**


Becker Lube **M 100** (Mineral oil)  
 ▷ No.: 96000900000 (1l)  
 ▷ No.: 96000900200 (5l)  
 Becker Lube **S 100** (Synthetic oil)  
 ▶ U4.250SA/K-65  
 ▷ No.: 96001600100 (1l)  
 ▷ No.: 96001600200 (5l)  
 Becker Lube **SL 100 Food**  
 ▷ No.: 96002300100 (1l)  
 ▷ No.: 96002300200 (5l)

**MAX**

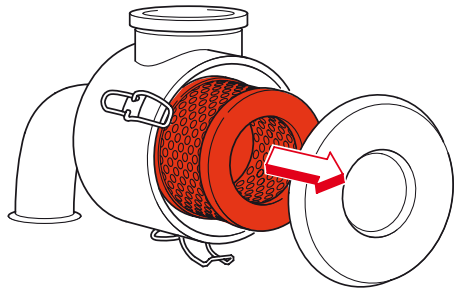
**E.**

1. = 100 h  
 2. = 1.000 h  
 3. = 2.000 h  
 ... (min. 2x/a)

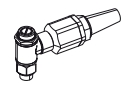
**Oil**



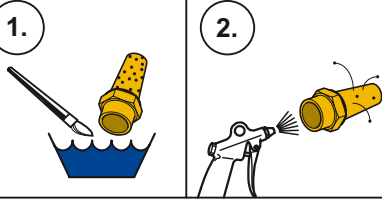
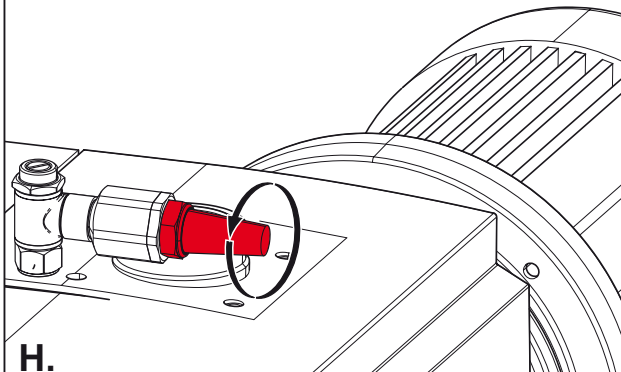
**40 - 200 h** **AIR ?**




**G.**



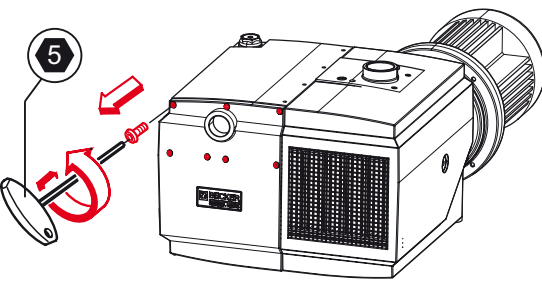
**1000 h**


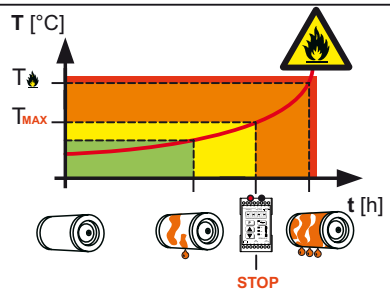
**H.**




**2000 h**



**I.**


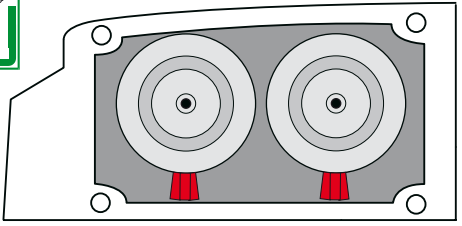
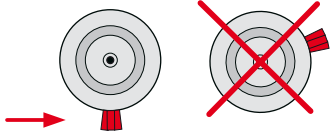
**J.**



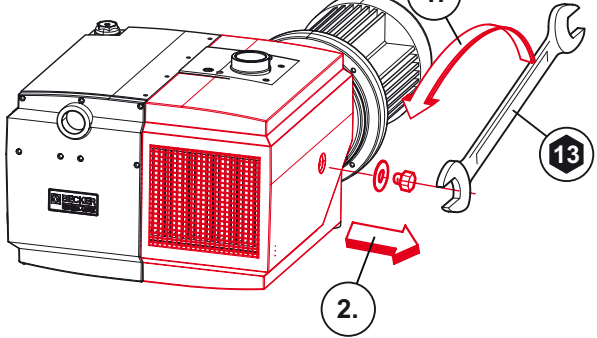
2x Pos. 83  
No.: 965415 00000 (STANDARD)  
No.: 965417 00000 (U 4.250SA/K-65)



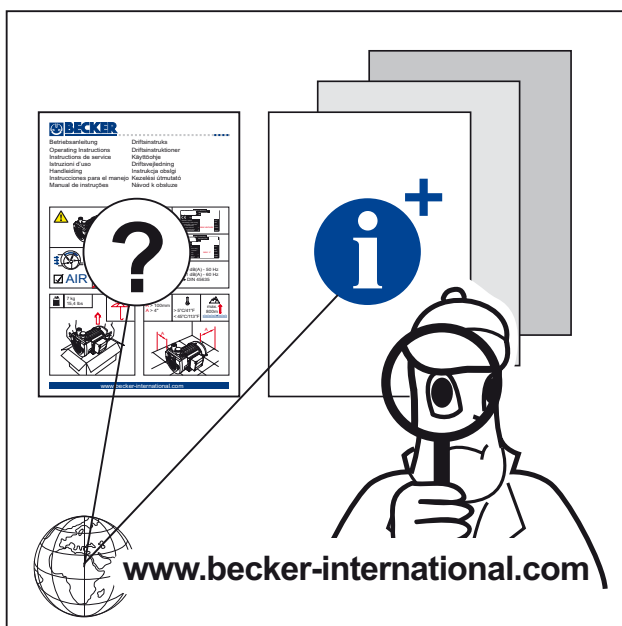
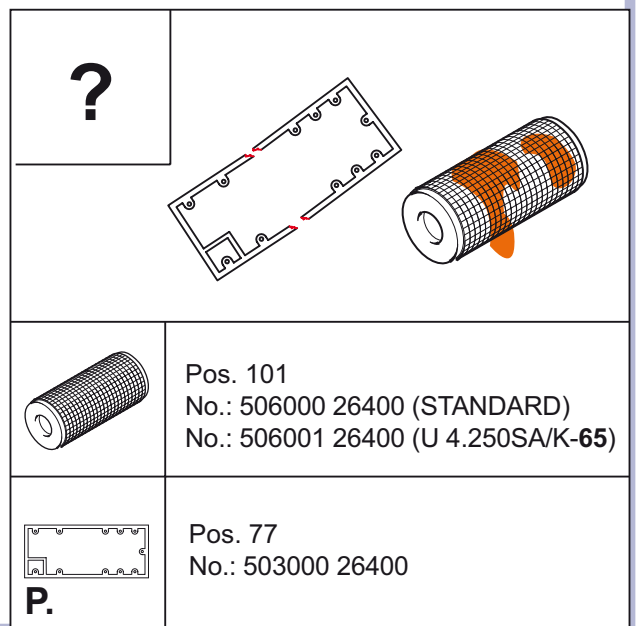
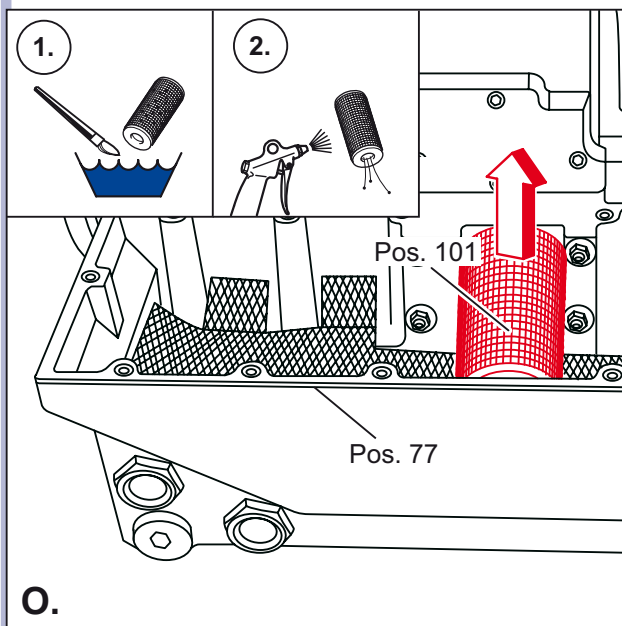
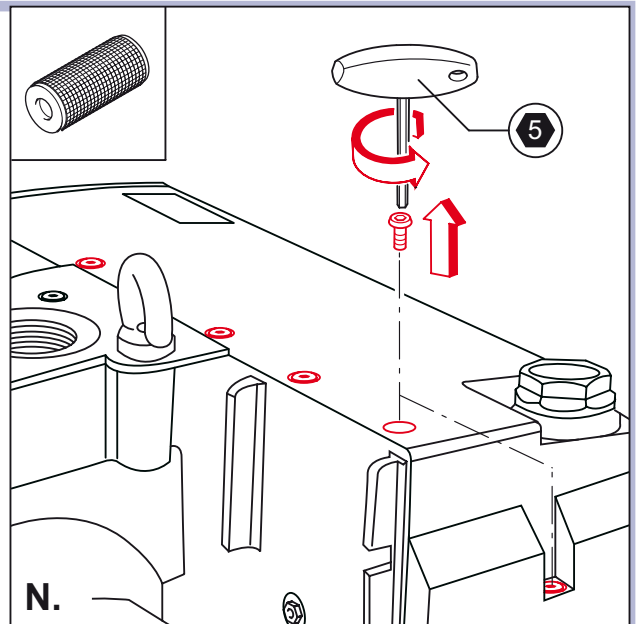
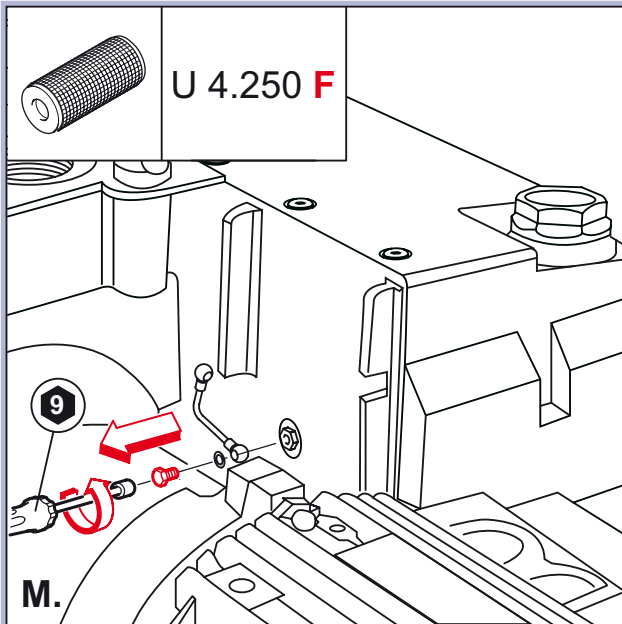
**5000 h**

**K.**



**L.**



**BECKER**

Gebr. Becker GmbH  
Hölker Feld 29-31  
D-42279 Wuppertal  
info@becker-international.com

---

**SERVICE**

[www.becker-international.com](http://www.becker-international.com)

Sales and service network